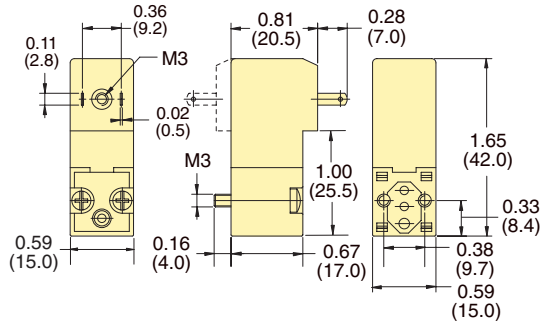




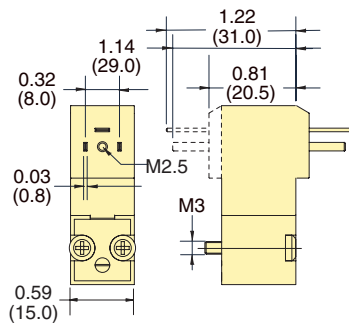
# 15 MM MINIATURE VALVES

## Terminal Connector



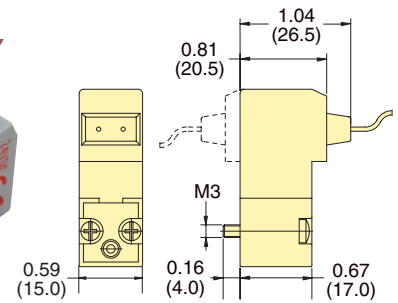
*Industrial Form C Connector ordered separately below.*

## DIN Connector

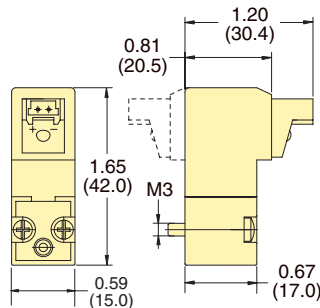


*DIN Connector ordered separately below.*

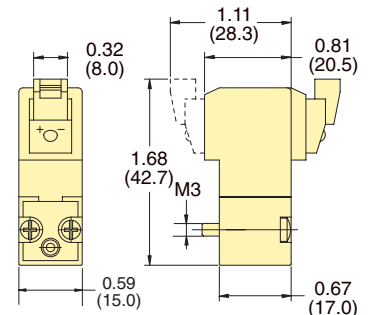
## Wire Leads



## 90° Connector with LED



## In-Line Connector with LED



**Form C**

M2.5 x 0.45

8.0

Used with "DIN Connector"

**Industrial Form**

M3 x 0.5

9.4

Used with "Terminal Connector"

**Molded 3-Wire Cord Set Form C**

M2.5 x 0.45

8.0

Used with "DIN Connector"

**Molded 3-Wire Cord Set Industrial Form**

M3 x 0.50

9.4

Used with "Terminal Connector"

## DIN Connectors

*For Use with 15 mm Valves Only*

DIN 43650 Form C Connectors with 8 mm spade center spacing mate with the 15 mm DIN connector coil. Industrial Form Connectors with 9.4 mm spade center spacing are designed to connect to 15 mm terminal coils. Both are available with or without surge suppression, and 152 or 381 mm PVC molded three-wire cord set.

Form C Part No.	Industrial Form Part No.	Volts	LED	Cord
CC-C	CC-I	6-240	no	-
CC-C-P6	CC-I-P6	6-240	no	6'
CC-C-P15	CC-I-P15	6-240	no	15'
CC-CLL	CC-ILL	6-24	yes	-
CC-CLL-P6	CC-ILL-P6	6-24	yes	6'
CC-CLL-P15	CC-ILL-P15	6-24	yes	15'
CC-CLM	CC-ILM	48-110	yes	-
CC-CLM-P6	CC-ILM-P6	48-110	yes	6'
CC-CLM-P15	CC-ILM-P15	48-110	yes	15'

